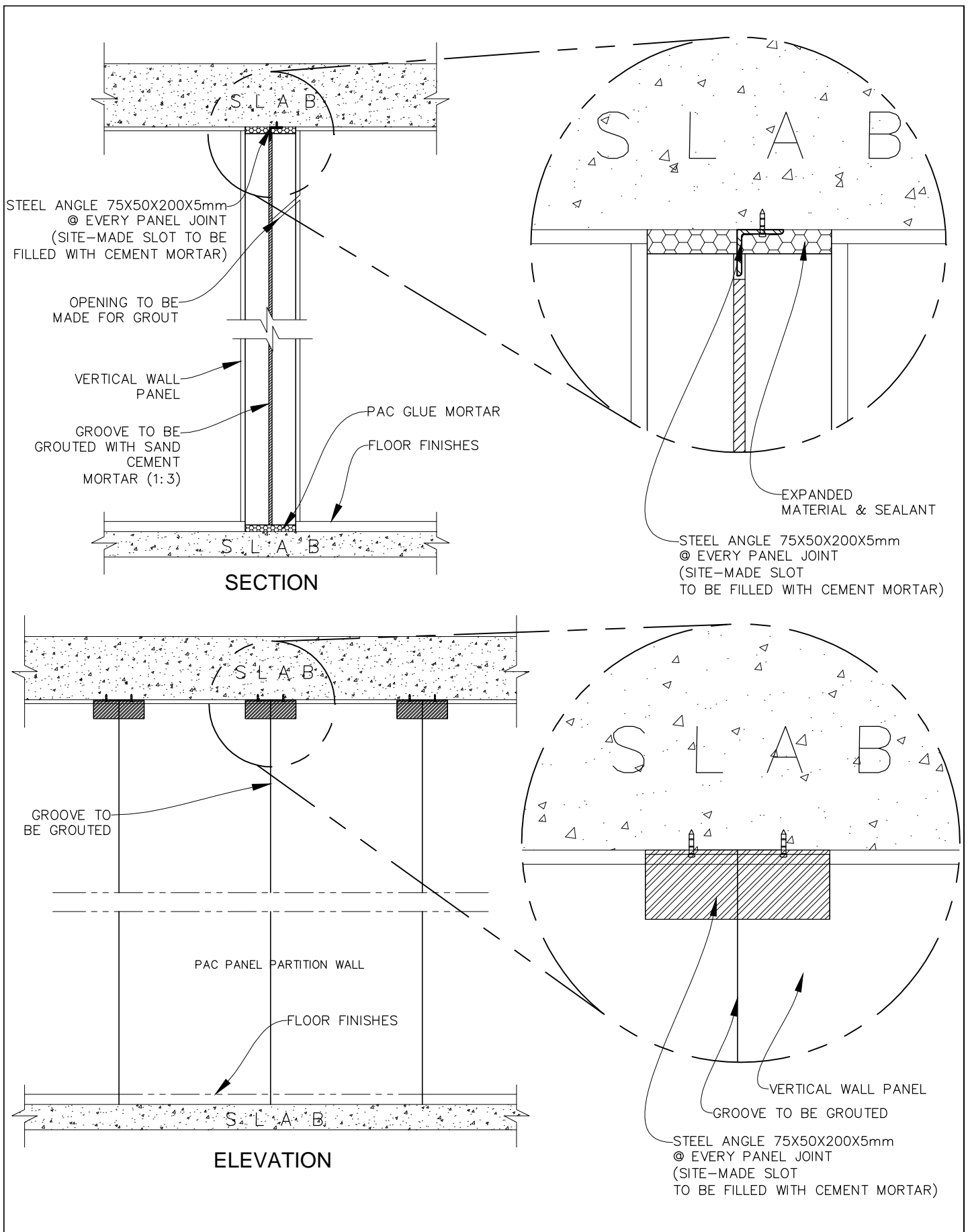


Title: **PARTITION WALL DETAIL - A**

ENGINEERING DIVISION	Date: DEC.2016	Scale: N.T.S	Detail No. EPWD-1
TEL No: +966 13 863 1111 FAX No: +966 13 863 2222 2833 St. 49th (St. 67th x St. 166th) 2nd industrial City Dammam 34324 - 7333 Saudi Arabia	This drawing must be read in conjunction with all the ESPAC Structural Floor Panels Design Guide		



Title:

PARTITION WALL DETAIL - B

ENGINEERING DIVISION

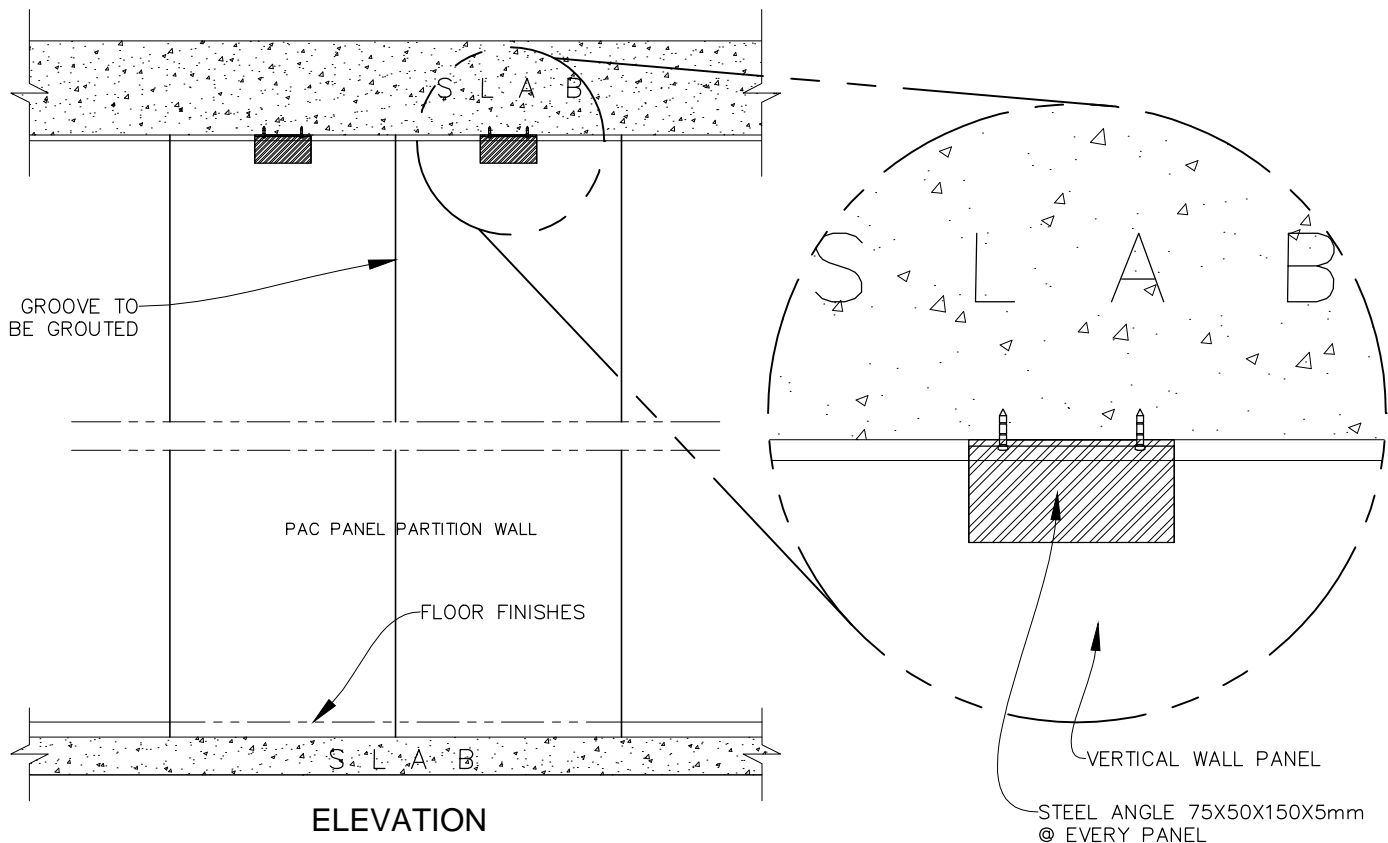
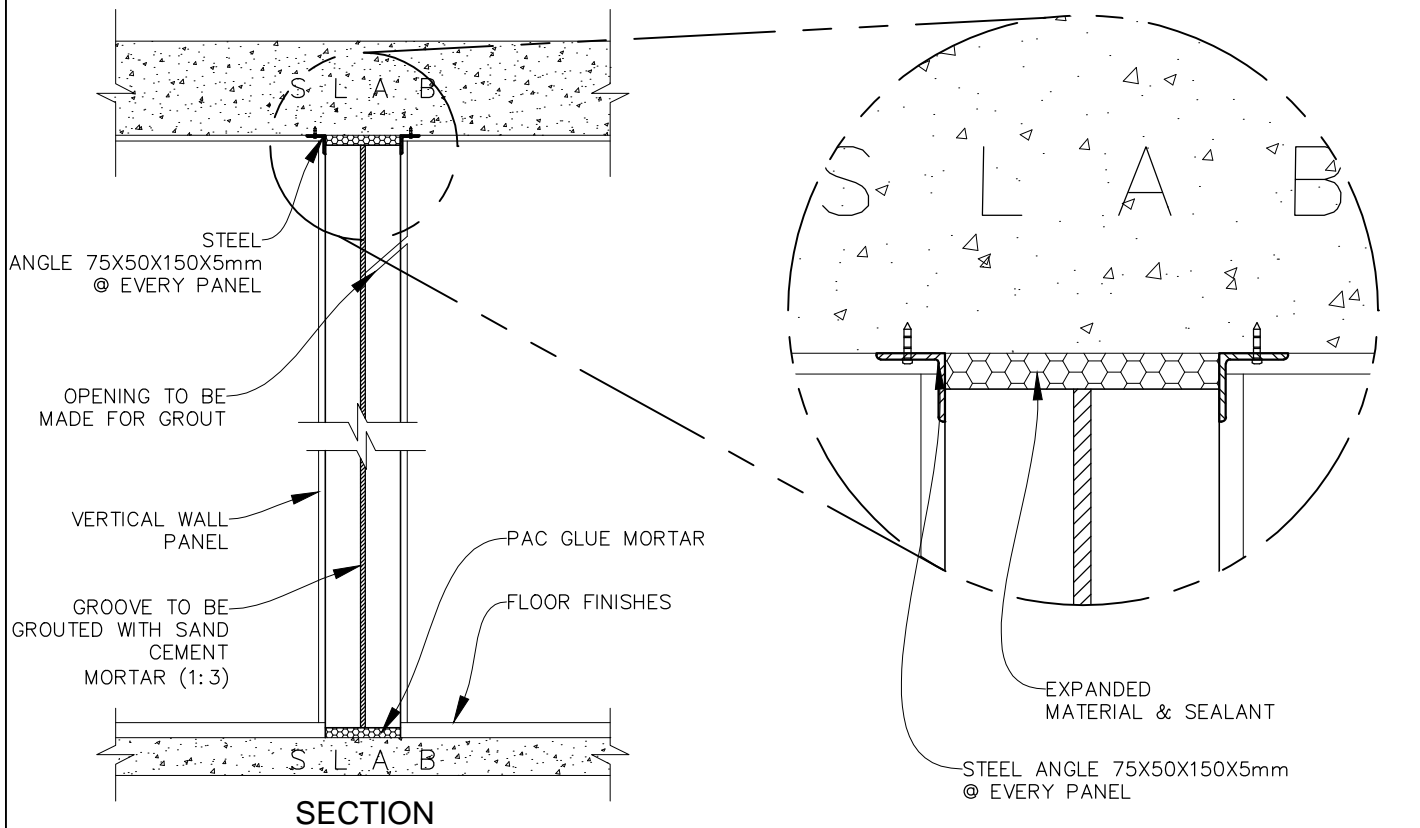
Date: DEC.2016

Scale: N.T.S

Detail No. EPWD-2

TEL No: +966 13 863 1111 FAX No: +966 13 863 2222
2833 St. 49th (St. 67th x St. 166th) 2nd industrial City

This drawing must be read in conjunction with all the ESPAC Structural Floor Panels Design Guide



Title:

PARTITION WALL DETAIL - C

ENGINEERING DIVISION

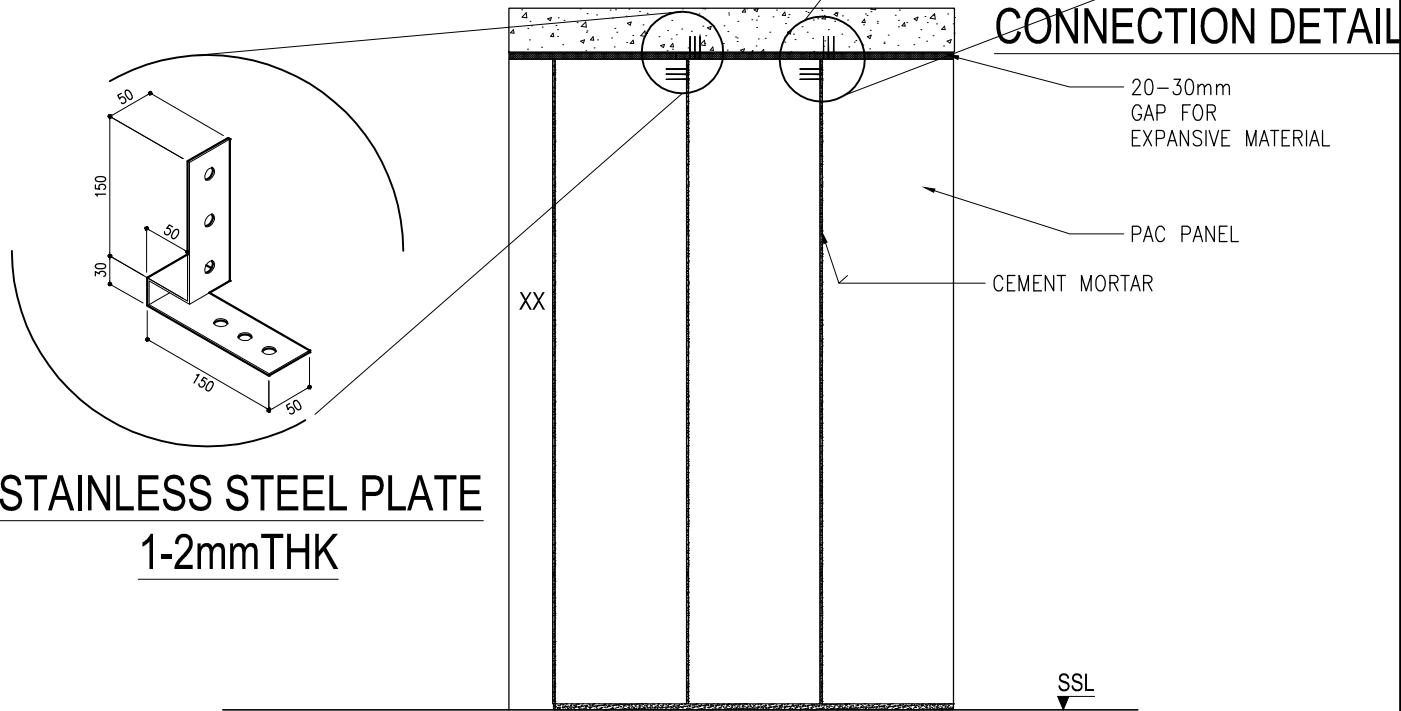
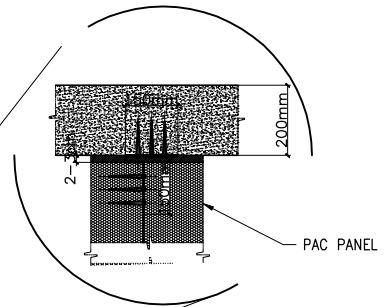
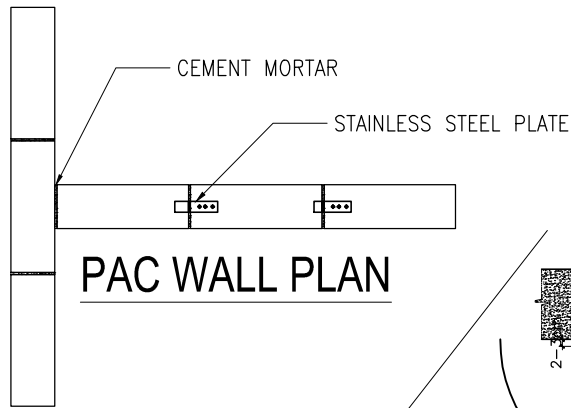
Date: DEC.2016

Scale: N.T.S

Detail No. EPWD-3

TEL No: +966 13 863 1111 FAX No: +966 13 863 2222
2833 St. 49th (St. 67th x St. 166th) 2nd industrial City

This drawing must be read in conjunction with all the ESPAC Structural Floor Panels Design Guide



STAINLESS STEEL PLATE
1-2mmTHK

PAC WALL ELEVATION



Title: **PARTITION WALL DETAIL - D**

ENGINEERING DIVISION

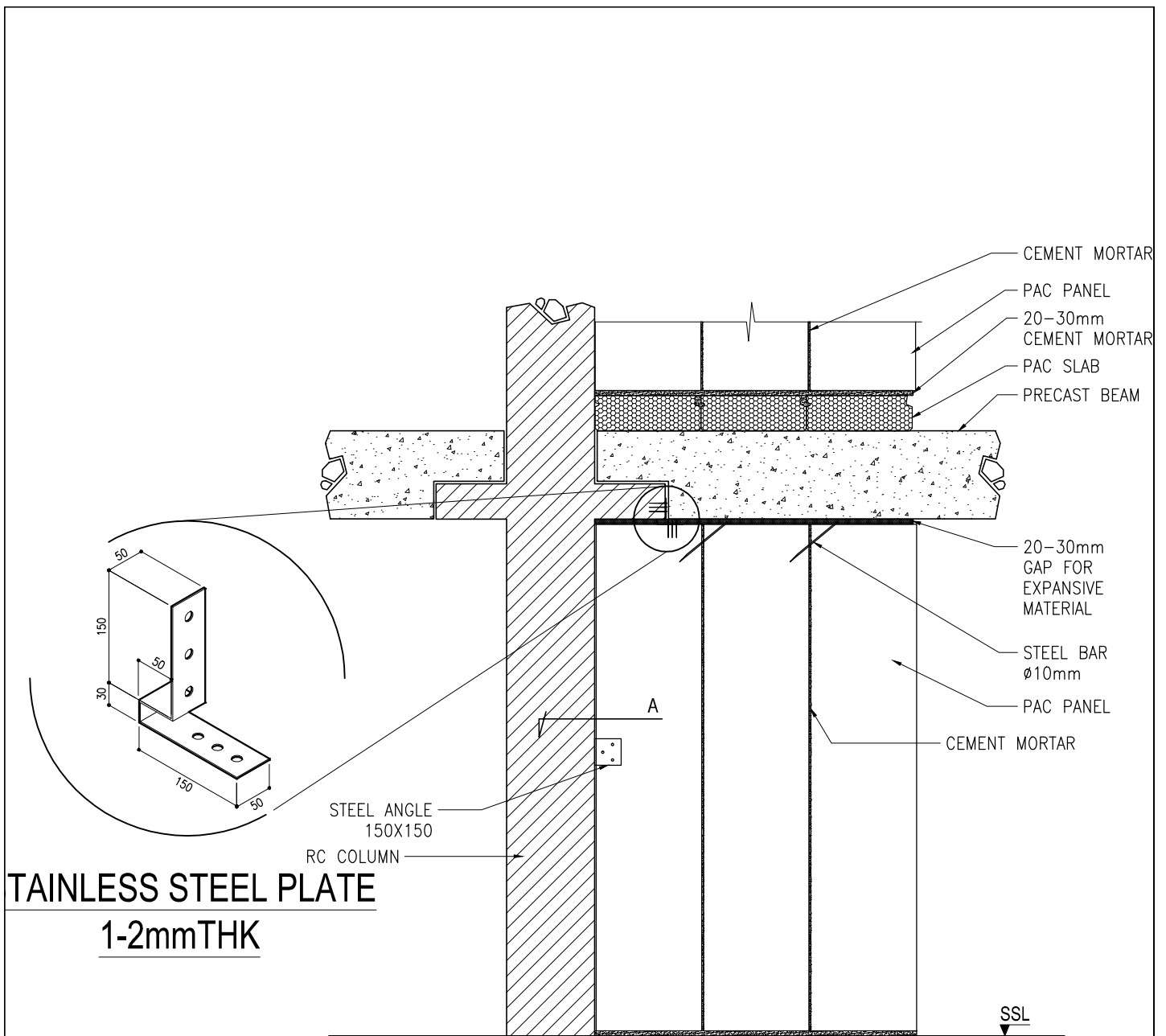
Date: DEC.2016

Scale: N.T.S

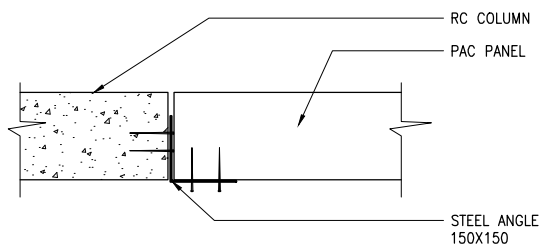
Detail No. EPWD-4

TEL No: +966 13 863 1111 FAX No: +966 13 863 2222
2833 St. 49th (St. 67th x St. 166th) 2nd industrial City
Dammam 34324 - 7333 Saudi Arabia

This drawing must be read in conjunction with all the ESPAC Structural Floor Panels Design Guide



PAC WALL ELEVATION



Title: **PARTITION WALL CONNECTION WITH PRECAST BEAM**

ENGINEERING DIVISION
 TEL No: +966 13 863 1111 FAX No: +966 13 863 2222
 2833 St. 49th (St. 67th x St. 166th) 2nd industrial City
 Dammam 34324 - 7333 Saudi Arabia

Date: DEC.2016

Scale: N.T.S

Detail No. EPWD-5

This drawing must be read in conjunction with all the ESPAC Structural Floor Panels Design Guide